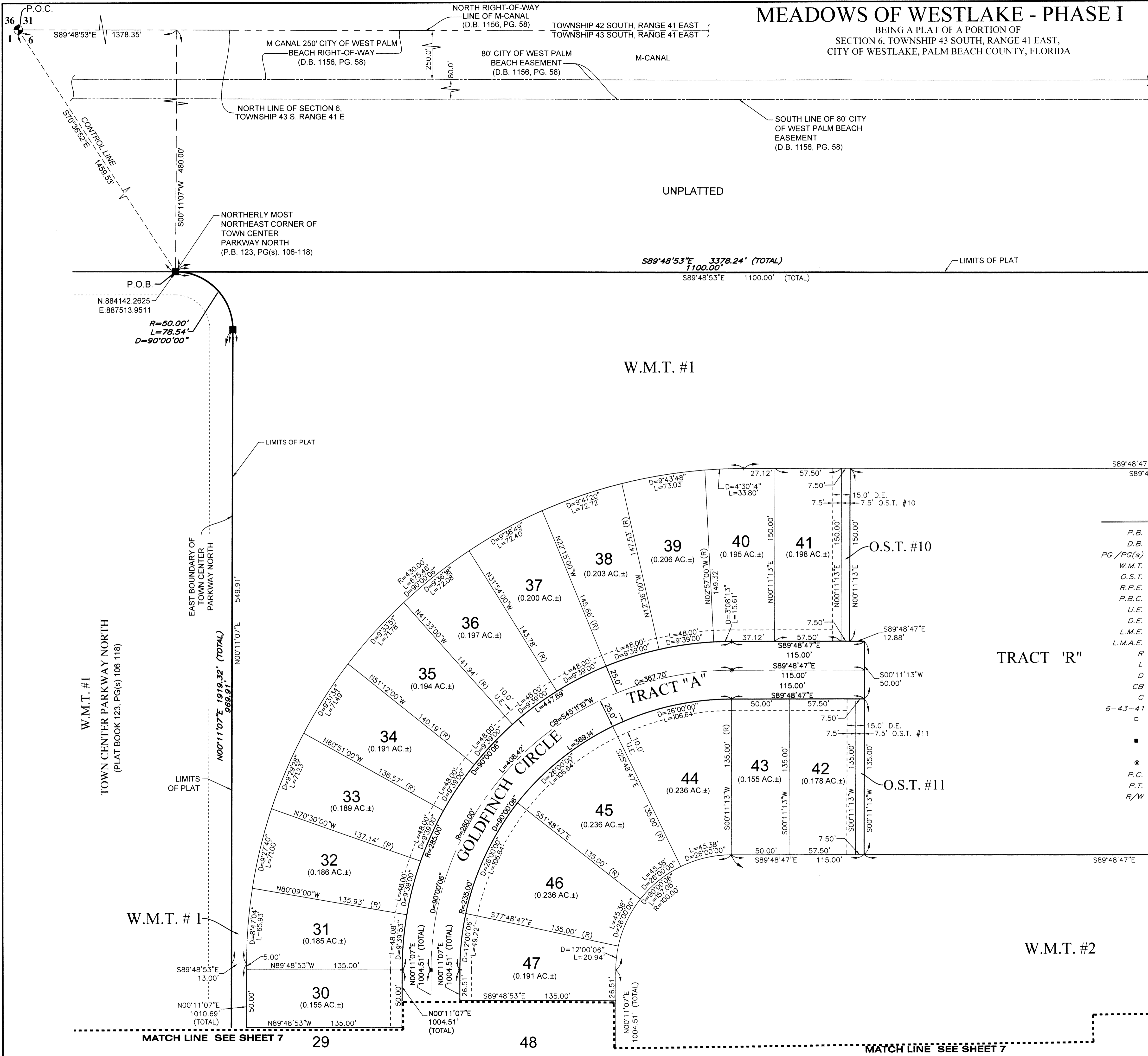
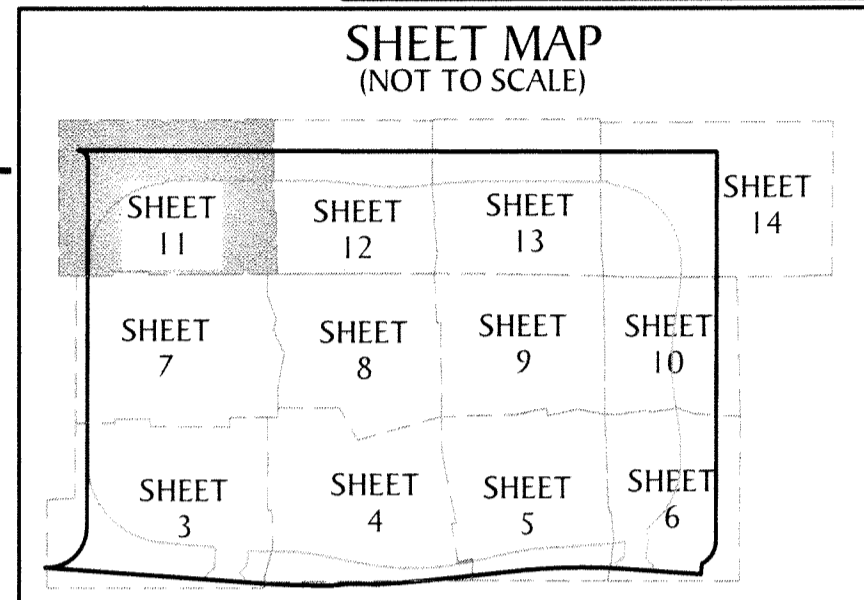


# MEADOWS OF WESTLAKE - PHASE I

BEING A PLAT OF A PORTION OF SECTION 6, TOWNSHIP 43 SOUTH, RANGE 41 EAST, CITY OF WESTLAKE, PALM BEACH COUNTY, FLORIDA

# 150



W.M.T. #1

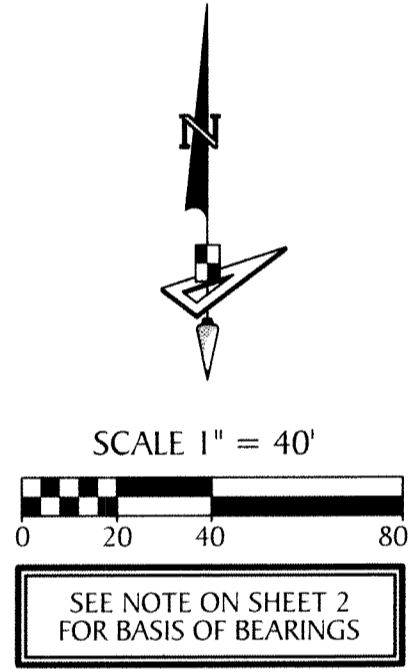
TRACT "A"

TRACT "R"

W.M.T. #2

### LEGEND

- P.B. ---- PLAT BOOK
- D.B. ---- DEED BOOK
- PG./PG(S) ---- PAGE(S)
- W.M.T. ---- WATER MANAGEMENT TRACT
- O.S.T. ---- OPEN SPACE TRACT
- R.P.E. ---- RURAL PARKWAY EASEMENT
- P.B.C. ---- PALM BEACH COUNTY
- U.E. ---- UTILITY EASEMENT
- D.E. ---- DRAINAGE EASEMENT
- L.M.E. ---- LAKE MAINTENANCE EASEMENT
- L.M.A.E. ---- LAKE MAINTENANCE ACCESS EASEMENT
- R ---- RADIUS
- L ---- ARCH LENGTH
- D ---- DELTA ANGLE
- CB ---- CHORD BEARING
- C ---- CHORD
- 6-43-41 ---- SECTION-TOWNSHIP-RANGE
- ---- FOUND PERMANENT REFERENCE MONUMENT
- ---- SET PERMANENT REFERENCE MONUMENT
- ---- PERMANENT CONTROL POINT
- P.C. ---- POINT OF CURVATURE
- P.T. ---- POINT OF TANGENCY
- R/W ---- RIGHT-OF-WAY



MATCH LINE SEE SHEET 12